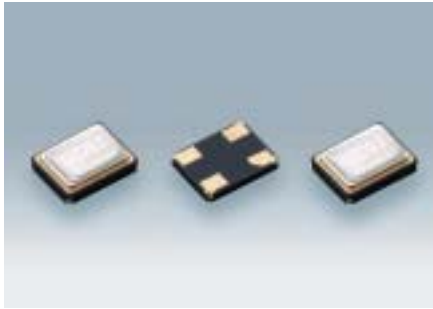


SMD Type Crystal Resonators

DSX321S



■ Features

- Miniature SMD crystal resonators. (height 0.8mm)
- Higher precision and reliability.
- Good for automatic mounting and reflow soldering.

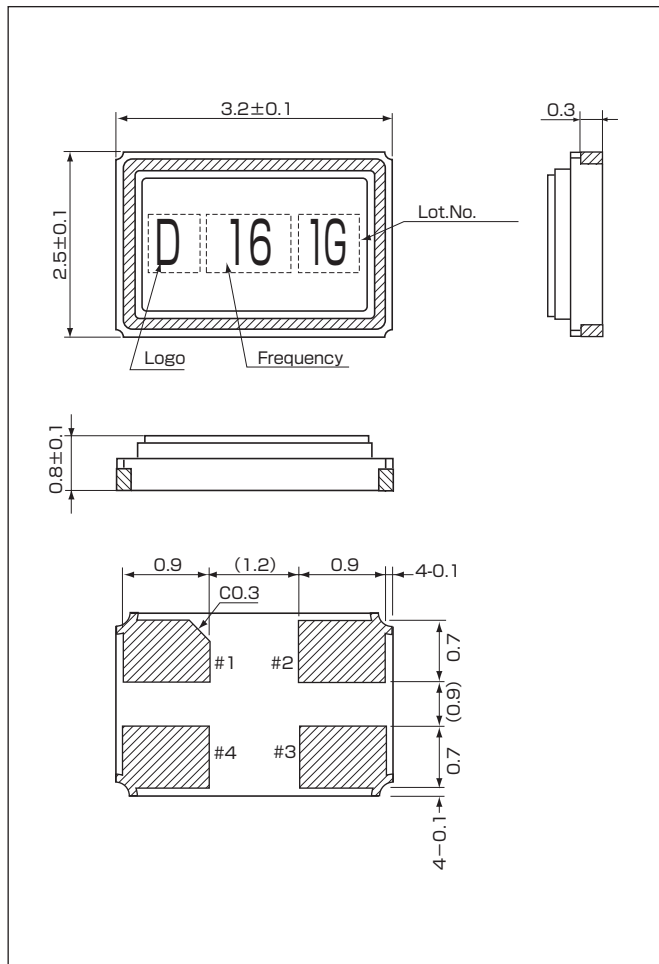
■ Generic Specification

Item	Type	DSX321S
Frequency Range		16~50MHz
Vibration Mode		Fundamental
Load Capacitance		Series, 8pF, 10pF, 12pF
Drive Level		10μW (300μW max.)
Frequency Tolerance		$\pm 10 \times 10^{-6} \sim \pm 50 \times 10^{-6}$ (at 25°C)
Series Resistance		100Ω max.
Frequency Characteristics over Temperature		$\pm 7 \times 10^{-6} / -10 \sim +60^\circ\text{C}$ (Ref. to 25°C)
		$\pm 15 \times 10^{-6} / -30 \sim +85^\circ\text{C}$ (Ref. to 25°C)
Storage Temperature Range		-40~+85°C

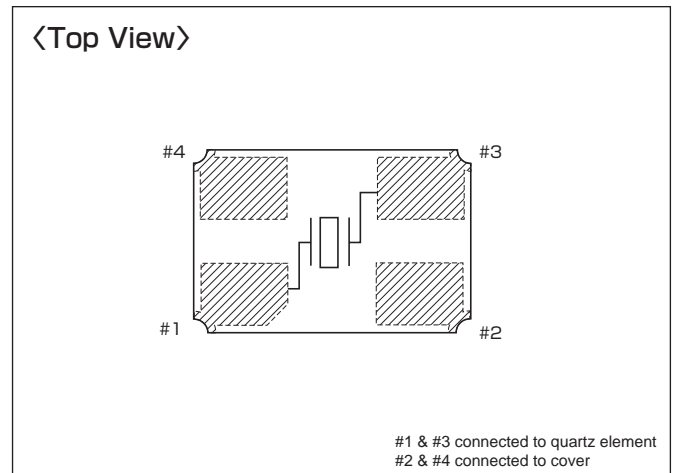
Packing Unit : 3000pcs./reel

Consult our sales representative for other specifications or special specifications.

■ Dimensions [mm]



■ Internal Connections



■ Recommended Land Pattern [mm]

